



CCR POWERLITE[®]
SNOWTHROWER

Model No. 38170-790001 & Up

Parts Catalog

ORDERING REPLACEMENT PARTS

To order replacement parts, please supply: the part number, the quantity, and the description of each part desired.

Contents

| Description | Page | Description | Page |
|------------------------------------|-------|-------------|------|
| Pulley & Belt Cover Assembly | 1 | | |
| Chute Assembly | 2 | | |
| Auger Assembly | 3 | | |
| Engine & Wheel Assembly | 4 | | |
| Handle Assembly | 5 | | |
| Engine Assembly | 6-9 | | |
| Partdex | 10-11 | | |
| Maintenance | 12-13 | | |

Part Description Abbreviations

Part descriptions in this catalog may include the following abbreviations.

| Abbreviation | Meaning | Abbreviation | Meaning |
|--------------|------------------------|--------------|-----------------------------------|
| AR | as required | HWHTF | hex washer head thread forming |
| ASM | assembly | INC | incorporated |
| CARR | carriage | LH | left hand |
| DEG | degrees | PH | pan head |
| FH | flat head | PPH | Phillips pan head |
| GA | gauge | PTO | power take off |
| HF | hex flange | RH | right hand |
| HFW | hex flange washer | SFH | slotted fillister head |
| HH | hex head | SH | square head |
| HHF | hex head flange | SHWH | slotted hex washer head |
| HHST | hex head self tapping | SPH | slotted pan head |
| HJ | hex jam | STD | standard |
| HOC | height-of-cut | TAP | self tapping |
| HS | hex socket | TH | truss head |
| HSBH | hex socket button head | TTH | Torx truss head |
| HSFH | hex socket flat head | WH | wing head |
| HSH | hex socket head | | |
| HWH | hex washer head | | |

Important Format Explanations

This catalog uses special formats to convey information in illustrations and parts lists. Specifically, one format is used in conjunction with service assemblies and another with quantities associated with reference numbers.

Service Assemblies

Parts within service assemblies have reference numbers in the form $X:Y$. X is the reference number of the service assembly and Y is a sequential number unique to each part within the service assembly.

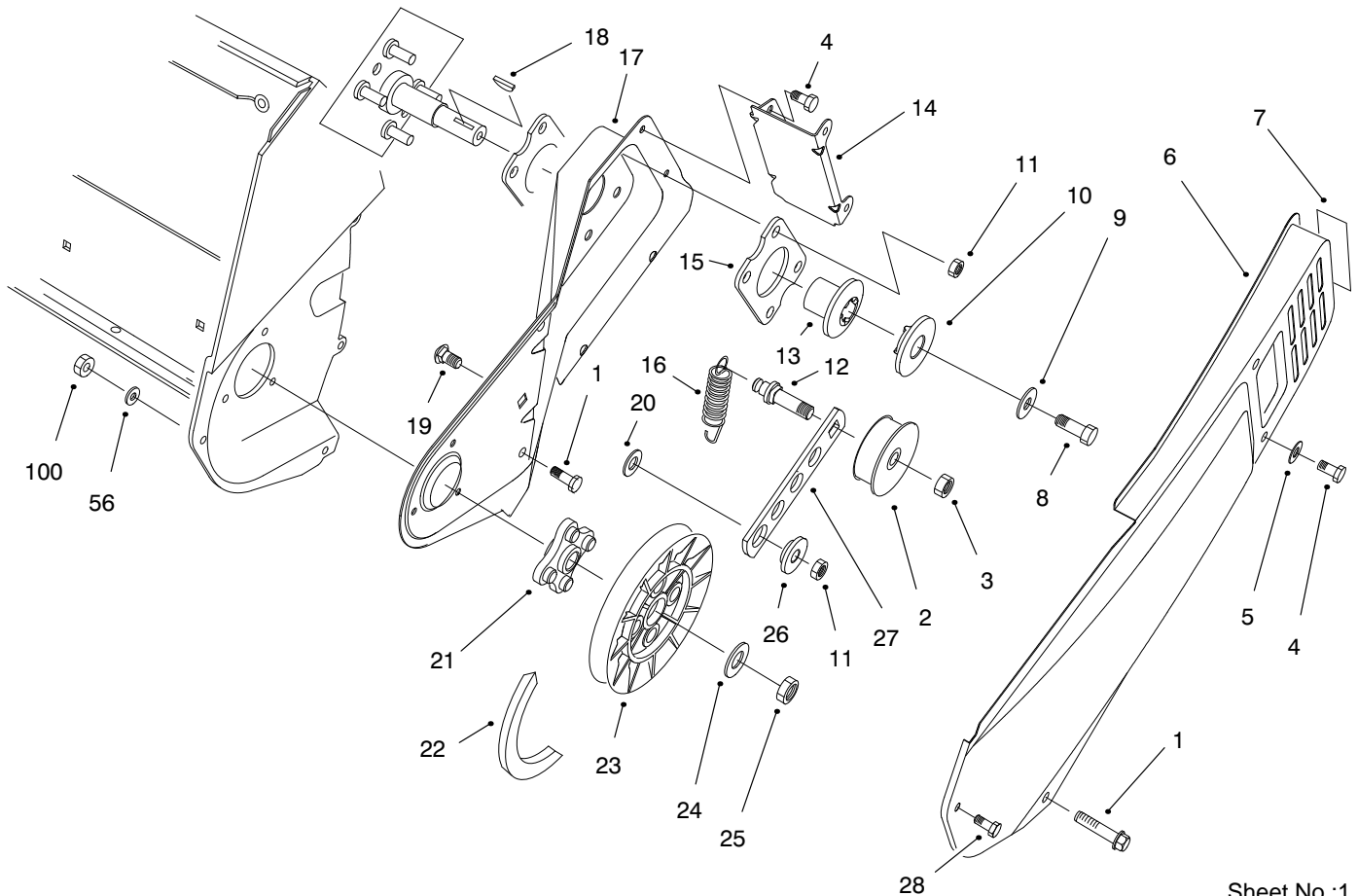
For example, a wheel assembly might be identified by reference number 6, the tire by 6:1, the valve by 6:2, and the wheel by 6:3. When you order the assembly identified by reference number 6, you receive all parts identified by reference numbers 6:1, 6:2, and 6:3. However, you may also order any part individually.

Reference numbers of this type appear in part lists and as callouts in illustrations.

Reference Numbers with Quantities

Illustrations may have a quantity in parentheses next to a reference number, in the form $X (Y)$. X is the reference number. Y in parentheses is the quantity of the part identified by the reference number.

For example, the illustration callout 4 (2) indicates that two parts are used in that instance.

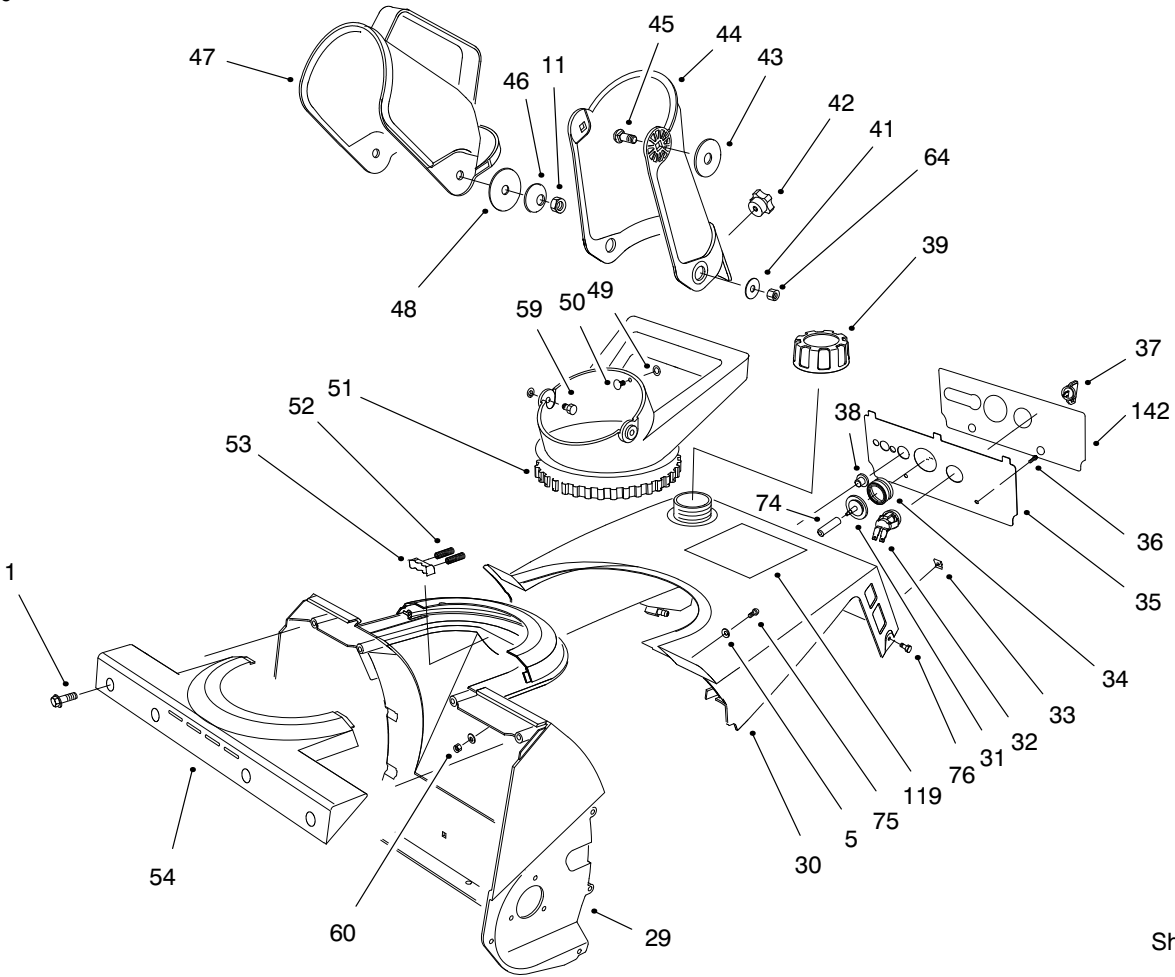


Sheet No.:1

PULLEY & BELT COVER ASSEMBLY

| Ref. No. | Part No. | Qty. | Description |
|----------|----------|------|------------------|
| 1 | 46-8094 | 3 | Screw-TAP |
| 2 | 71-5260 | 1 | Pulley-Idler |
| 3 | 3296-59 | 1 | Nut-Lock |
| 4 | 32144-4 | 4 | Screw-TAP |
| 5 | 3256-1 | 2 | Washer-Flat |
| 6 | 75-8830 | 1 | Cover-Belt |
| 7 | 80-0630 | 1 | Decal-Hot |
| 8 | 3235-6 | 1 | Screw-HH |
| 9 | 3256-71 | 1 | Washer-Flat |
| 10 | 71-5060 | 1 | Cap-Half Sheave |
| 11 | 3296-29 | 5 | Nut-Lock |
| 12 | 75-8720 | 1 | Pin-Idler |
| 13 | 71-5050 | 1 | Body-Half Sheave |
| 14 | 75-8870 | 1 | Bracket-Cover |
| 15 | 71-5290 | 2 | Plate-Engine |
| 16 | 75-9020 | 1 | Spring-Extension |
| 17 | 75-8810 | 1 | Sideplate-LH |
| 18 | 3257-3 | 1 | Key-Woodruff |
| 19 | 3230-23 | 1 | Screw-CARR |
| 20 | 25-5640 | 1 | Washer |
| 21 | 75-8740 | 1 | Hub |
| 22 | 75-9010 | 1 | "v" Belt |
| 23 | 75-8750 | 1 | Pulley |
| 24 | 3256-25 | 1 | Washer-Flt |
| 25 | 3296-38 | 1 | Nut-Lock |
| 26 | 75-8700 | 1 | Bushing-Idler |

| Ref. No. | Part No. | Qty. | Description |
|----------|----------|------|-------------|
| 27 | 75-9050 | 1 | Arm-Idler |
| 28 | 32105-23 | 1 | Screw-HH |
| 56 | 3256-14 | 1 | Washer-Flat |
| 100 | 3296-2 | 1 | Nut Lock |

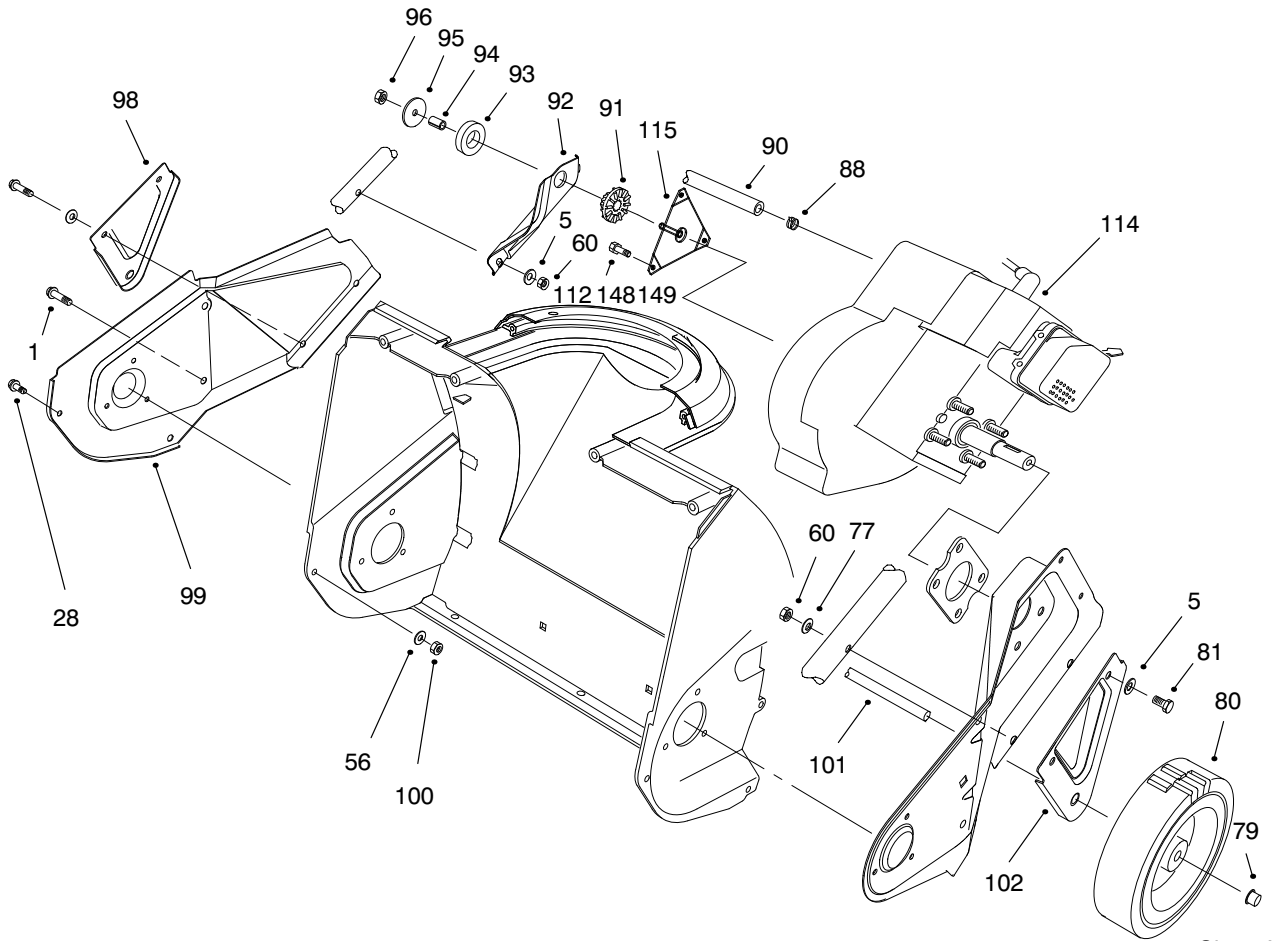


Sheet No.:2

CHUTE ASSEMBLY

| Ref. No. | Part No. | Qty. | Description |
|----------|----------|------|--------------------|
| 1 | 46-8094 | 4 | Screw-TAP |
| 5 | 3256-1 | 4 | Washer-Flat |
| 11 | 3296-29 | 2 | Nut-Lock |
| 29 | 75-8660 | 1 | Housing |
| 30 | 75-8800 | 1 | Shroud-Upper |
| 31 | 44-2750 | 1 | Body-Primer |
| 32 | 40-5940 | 1 | Switch-Key |
| 33 | 49-1490 | 2 | "j" Nut |
| 34 | 66-7460 | 1 | Bulb-Primer |
| 35 | 75-9031 | 1 | Panel-Control |
| 36 | 32144-53 | 2 | Screw-Tf Acorn Hd |
| 37 | 63-8360 | 1 | Key-Ignition |
| 38 | 23-7470 | 1 | Guide-Rope |
| 39 | 55-3573 | 1 | ASM-Gas Cap |
| 41 | 3256-81 | 2 | Washer-Flat |
| 42 | 233-67 | 1 | Knob |
| 43 | 80-0640 | 2 | Washer-Rubber |
| 44 | 75-8760 | 1 | Chute-Discharge |
| 45 | 3230-2 | 2 | Screw-CARR |
| 46 | 3290-340 | 2 | Washer-Spring |
| 47 | 75-8770 | 1 | Deflector-Chute |
| 48 | 3256-68 | 2 | Washer-Flt |
| 49 | 32115-15 | 3 | Retainer |
| 50 | 3229-11 | 1 | Bolt-CARR |
| 51 | 75-8670 | 1 | Handle-Chute |
| 52 | 75-9170 | 2 | Spring-Compression |

| Ref. No. | Part No. | Qty. | Description |
|----------|----------|------|---------------------|
| 53 | 75-9160 | 1 | Detent-Chute |
| 54 | 75-8650 | 1 | Retainer-Chute |
| 59 | 321-3 | 2 | Screw-HH |
| 60 | 3296-42 | 2 | Nut-Lock |
| 64 | 3296-56 | 2 | Nut-Hex Lock |
| 74 | 44-3173 | 1 | Hose-Primer |
| 75 | 3250-32 | 2 | Screw-PPH |
| 76 | 32144-89 | 2 | CScrew-HH |
| 119 | 80-0680 | 1 | Decal-Powerlite |
| 142 | 84-5420 | 1 | Decal-Control Panel |

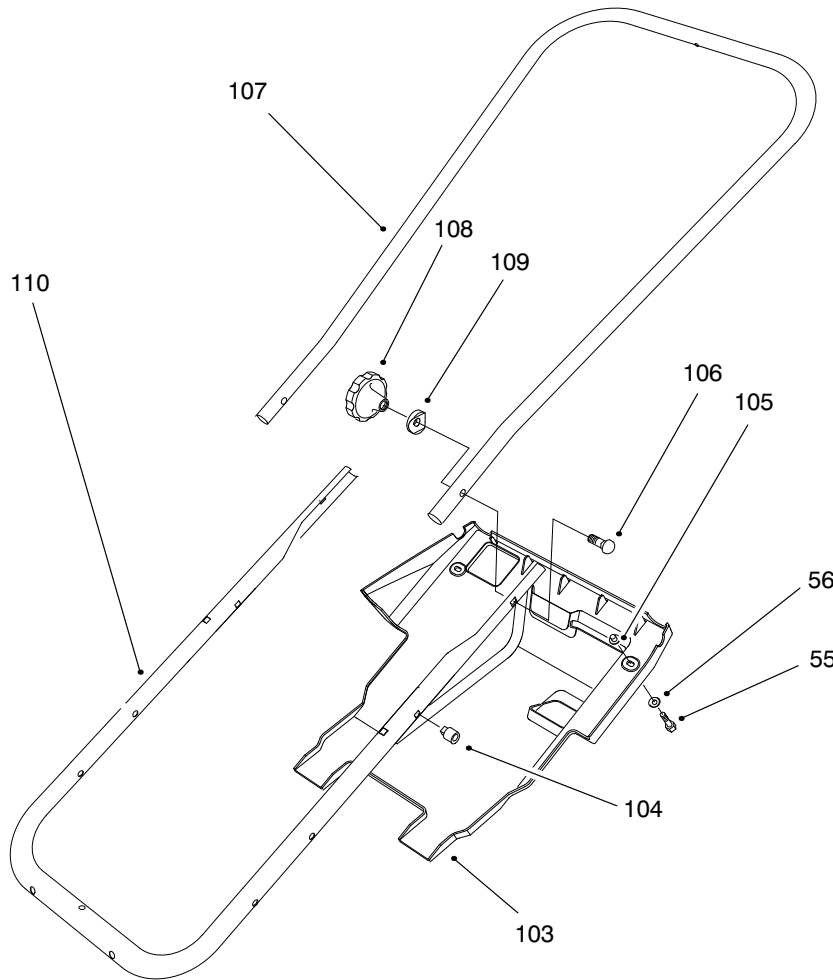


Sheet No.:4

ENGINE & WHEEL ASSEMBLY

| Ref. No. | Part No. | Qty. | Description |
|----------|----------|------|----------------------|
| 1 | 46-8094 | 3 | Screw-TAP |
| 5 | 3256-1 | 6 | Washer-Flat |
| 28 | 32105-23 | 1 | Screw-HH |
| 56 | 3256-14 | 1 | Washer-Flat |
| 60 | 3296-42 | 4 | Nut-Lock |
| 77 | 3-7501 | 2 | Washer-Curved |
| 79 | 3290-320 | 2 | Nut-Push |
| 80 | 23-3250 | 2 | Wheel |
| 81 | 321-10 | 4 | Screw-HH |
| 88 | 2412-98 | 2 | Clamp-Hose |
| 90 | 49-2483 | 1 | Hose-Fuel |
| 91 | 75-9100 | 1 | Bushing-Isolation |
| 92 | 75-8980 | 1 | Support-Engine |
| 93 | 80-0620 | 1 | Ring-Isolator |
| 94 | 80-0650 | 1 | Spacer-Mount |
| 95 | 3256-58 | 1 | Washer-Fit |
| 96 | 3296-16 | 1 | Nut-Lock |
| 98 | 75-8900 | 1 | Bracket-Wheel |
| 99 | 75-8820 | 1 | Sideplate-RH |
| 100 | 3296-2 | 1 | Nut Lock |
| 101 | 27-0062 | 1 | Axle |
| 102 | 75-8910 | 1 | Bracket-Wheel |
| 112 | 92-6019 | 3 | Screw-Thread Forming |
| 114 | | 1 | Engine |
| 115 | 92-6012 | 1 | ASM-Bracket & Stud |

| Ref. No. | Part No. | Qty. | Description |
|----------|----------|------|-------------|
| 148 | 92-6031 | A/R | Screw |
| 149 | 3255-10 | A/R | Lockwasher |



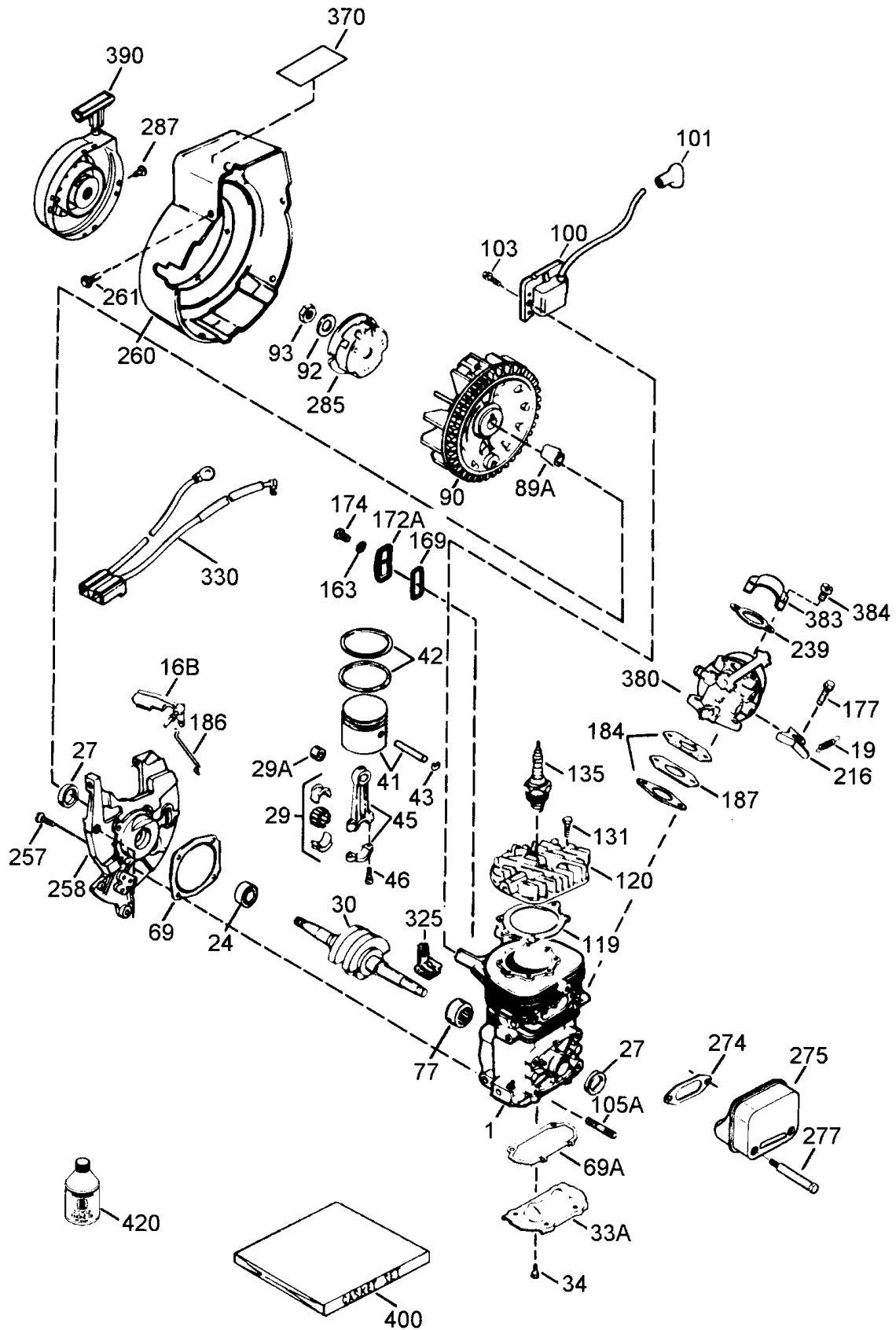
Sheet No.:5

HANDLE ASSEMBLY

| Ref. No. | Part No. | Qty. | Description |
|----------|----------|------|----------------|
| 55 | 32144-34 | 2 | Screw-Hex Slot |
| 56 | 3256-14 | 2 | Washer-Flat |
| 103 | 75-8790 | 1 | Shroud-Lower |
| 104 | 32115-17 | 2 | Nut-Expansion |
| 105 | 3290-453 | 2 | Nut-Push |
| 106 | 17-9426 | 2 | Screw |
| 107 | 75-9070 | 1 | Handle-Upper |
| 108 | 19-4050 | 2 | Knob |
| 109 | 75-9130 | 2 | Washer-Pin |
| 110 | 75-9060 | 1 | Tube-Frame |

| Ref. No. | Part No. | Qty. | Description |
|----------|----------|------|-------------|
| | | | |
| | | | |
| | | | |
| | | | |
| | | | |
| | | | |
| | | | |
| | | | |
| | | | |
| | | | |

ENGINE TECUMSEH MODEL NO. HSK600 TYPE 1680S

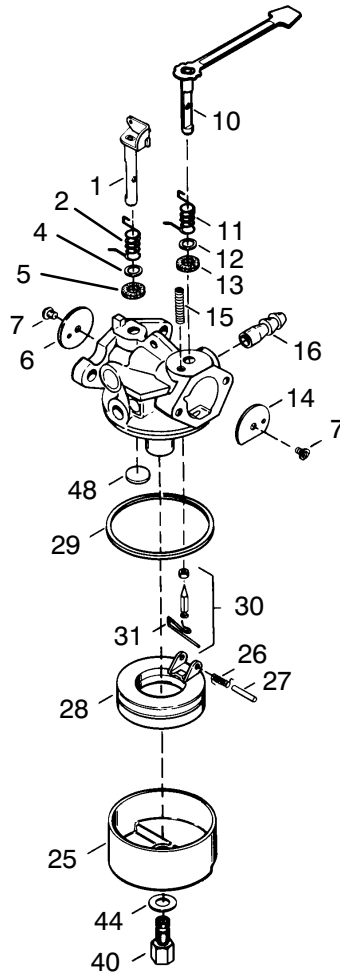


ENGINE TECUMSEH MODEL NO. HSK600 TYPE 1680S

| Ref. No. | Part No. | Description | No. Used |
|----------|----------|--|----------|
| 1 | | Block Ass'y – Cylinder (Order short block if replacement is required) | 1 |
| 16B | 490291A | Vane Ass'y – Air | 1 |
| 19 | 570707 | Spring – Governor | 1 |
| 24 | 530110 | Bearing – Ball | 1 |
| 27 | 510319 | Seal – Crankshaft | 2 |
| 29 | 530150 | Bearing & Liner Set – Needle (37 Needles) | 1 |
| 29A | 530104A | Bearing – Cartridge | 1 |
| 30 | 290602 | Crankshaft | 1 |
| 33A | 570644 | Plate – Cover | 1 |
| 34 | 650579 | Screw – Pan Flex Hd. | 4 |
| 41 | 310283A | Piston & Pin Ass'y (Incl. ref. #43) | 1 |
| 42 | 310190 | Ring Set – Piston | 1 |
| 43 | 310167 | Ring – Piston Pin Retaining | 2 |
| 45 | 310235B | Rod Ass'y – Connecting (Incl. ref. #29, 29A & 46) | 1 |
| 46 | 650633 | Screw – Connecting Rod | 2 |
| 69 | *510292A | Gasket – Cylinder Cover | 1 |
| 69A | *510323A | Gasket – Cover Plate | 1 |
| 77 | 530105 | Bearing – Needle | 1 |
| 89A | 611032 | Sleeve – Flywheel | 1 |
| 90 | 611066 | Flywheel | 1 |
| 92 | 650815 | Washer – Belleville | 1 |
| 93 | 650390 | Nut – Flywheel | 1 |
| 100 | 34443A | Solid State Ass'y (Incl. Ref. #101) | 1 |
| 101 | 610118 | Cover – Spark Plug | 1 |
| 103 | 650814 | Screw – Hex. Hd. Sems | 2 |
| 105A | 650796 | Stud – Cylinder | 4 |
| 119 | *510274A | Gasket – Cylinder Head | 1 |
| 120 | 250240B | Head – Cylinder | 1 |
| 131 | 650477 | Screw – Pan Flex Hd. | 5 |

| Ref. No. | Part No. | Description | No. Used |
|----------|----------|--|----------|
| 135 | 611049 | Plug – Spark (RCJ-8Y or equivalent) | 1 |
| 163 | 650838 | Washer – Flat | 1 |
| 169 | *510325A | Gasket – Cover | 1 |
| 172A | 570708 | Cover Ass'y – Compression Release | 1 |
| 174 | 650579 | Screw – Torx. Hd. | 1 |
| 177 | 650959 | Screw | 2 |
| 184 | *510326A | Gasket – Carburetor | 2 |
| 186 | 490322 | Link – Governor | 1 |
| 187 | 570438A | Spacer | 1 |
| 216 | 570645 | Level – Adjusting | 1 |
| 239 | 35815 | Gasket – Filter Base | 1 |
| 257 | 650911 | Screw – Torx Pan Hd. | 4 |
| 258 | 350422 | Base Ass'y – Blower Housing (Incl ref. #27) | 1 |
| 260 | 350437 | Housing – Blower | 1 |
| 261 | 650737 | Screw – Hex. Washer Hd. | 3 |
| 274 | *510207A | Gasket – Exhaust | 1 |
| 275 | 390332 | Muffler (Incl. Ref. #274 & 277) | 1 |
| 277 | 650869 | Screw – Torx Pan Hd. | 2 |
| 285 | 590551 | Cup – Starter | 1 |
| 287 | 650926 | Screw | 3 |
| 325A | 29443 | Clip – Spring | 1 |
| 330 | 611131A | Harness – Wire | 1 |
| 370 | 35977 | Decal – Caution | 1 |
| 380 | 632641 | Carburetor (Incl. ref. #184) | 1 |
| 383 | 570434 | Baffle – Air | 1 |
| 384 | 650229 | Screw – Pan Hd. Sems | 2 |
| 390 | 590652 | Starter Ass'y – Rewind | 1 |
| 400 | 510324B | Gasket Set | 1 |
| 422 | 730227A | Oil – 2 Cycle (8 oz.) | 1 |

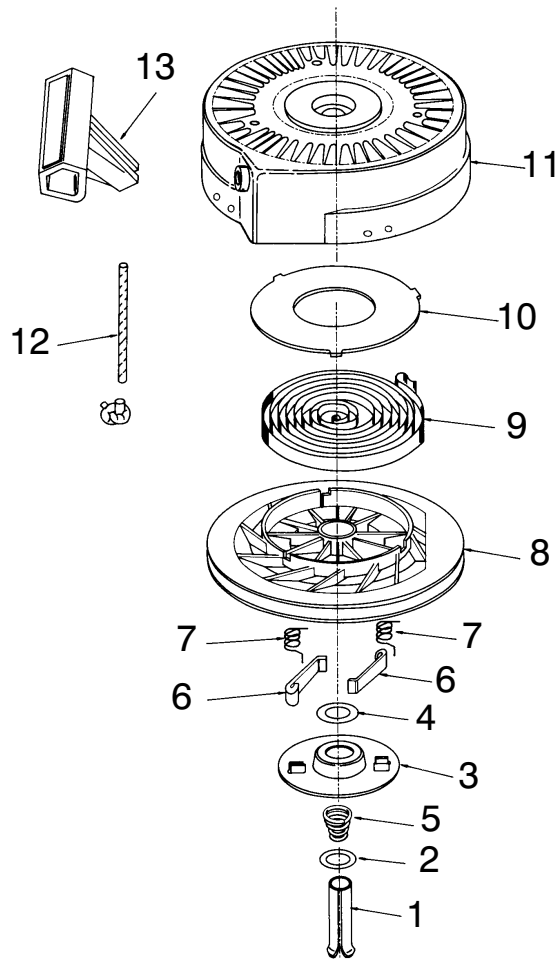
*Indicates parts included in Gasket Set ref. #400



C-1748

CARBURETOR NO. 632641

| Ref. No. | Part No. | Description | No. Used | Ref. No. | Part No. | Description | No. Used |
|----------|----------|------------------------------|----------|----------|----------|---|----------|
| 1 | 632166 | Throttle Shaft & Lever Assy. | 1 | 26 | 632386 | Spring – Float Shaft | 1 |
| 2 | 632169 | Spring – Throttle Return | 1 | 27 | 631024 | Shaft – Float | 1 |
| 4 | 631184 | Washer – Steel | 1 | 28 | 632019 | Float – Carburetor | 1 |
| 5 | 631183 | Washer – Felt | 1 | 29 | 631028 | Seal – O-Ring | 1 |
| 6 | 631621 | Shutter – Throttle | 1 | 30 | 631021 | Inlet Needle, Seat & Clip (Incl. ref. #31) | 1 |
| 7 | 650506 | Screw – Shutter | 2 | 31 | 631022 | Clip – Spring | 1 |
| 10 | 632553 | Choke Shaft & Lever Assy. | 1 | 40 | 632385 | Nut – Float Bowl | 1 |
| 14 | 631815 | Shutter – Choke | 1 | 44 | 631334 | Gasket – Bowl | 1 |
| 15 | 630735 | Spring – Choke Positioning | 1 | 48 | 631027 | Plug – Welch | 1 |
| 16 | 632164 | Fitting – Fuel Inlet | 1 | | | | |
| 25 | 631700 | Bowl – Float | 1 | | | | |



C-1750

RECOIL STARTER NO. 590652

| Ref. No. | Part No. | Description | No. Used | Ref. No. | Part No. | Description | No. Used |
|----------|----------|------------------------------|----------|----------|----------|--------------------------------------|----------|
| 1 | 590599A | Pin - Spring (Incl. Ref. #4) | 1 | 8 | 590413A | Pulley Assembly (Incl. Ref. #9 & 10) | 1 |
| 2 | 590600 | Washer | 1 | 9 | 590619 | Spring - Rewind | 1 |
| 3 | 590615 | Retainer | 1 | 10 | 590620 | Cover - Spring | 1 |
| 4 | 590601 | Washer | 1 | 11 | 590643 | Starter Housing Assembly | 1 |
| 5 | 590598 | Spring - Brake | 1 | 12 | 590535 | Rope - Starter | 1 |
| 6 | 590616 | Dog - Starter | 2 | 13 | 590452 | Handle - Starter | 1 |
| 7 | 590617 | Spring - Dog | 2 | | | | |

Toro Part Number Index

| Part No. | Page No. | Ref. No. | Qty. | Description |
|----------|----------|----------|------|--------------------|
| 3-7501 | 3 | 77 | 2 | Washer-Curved |
| 3-7501 | 4 | 77 | 2 | Washer-Curved |
| 17-9426 | 5 | 106 | 2 | Screw |
| 19-4050 | 5 | 108 | 2 | Knob |
| 23-3250 | 4 | 80 | 2 | Wheel |
| 23-7470 | 2 | 38 | 1 | Guide-Rope |
| 25-5640 | 1 | 20 | 1 | Washer |
| 27-0062 | 4 | 101 | 1 | Axle |
| 38-7820 | 3 | 70 | 2 | Bearing-Ball |
| 40-5940 | 2 | 32 | 1 | Switch-Key |
| 44-2750 | 2 | 31 | 1 | Body-Primer |
| 44-3173 | 2 | 74 | 1 | Hose-Primer |
| 46-8094 | 1 | 1 | 3 | Screw-TAP |
| 46-8094 | 2 | 1 | 4 | Screw-TAP |
| 46-8094 | 4 | 1 | 3 | Screw-TAP |
| 49-1490 | 2 | 33 | 2 | "j" Nut |
| 49-2483 | 4 | 90 | 1 | Hose-Fuel |
| 55-3573 | 2 | 39 | 1 | ASM-Gas Cap |
| 63-8360 | 2 | 37 | 1 | Key-Ignition |
| 66-7460 | 2 | 34 | 1 | Bulb-Primer |
| 71-5050 | 1 | 13 | 1 | Body-Half Sheave |
| 71-5060 | 1 | 10 | 1 | Cap-Half Sheave |
| 71-5260 | 1 | 2 | 1 | Pulley-Idler |
| 71-5290 | 1 | 15 | 2 | Plate-Engine |
| 75-8650 | 2 | 54 | 1 | Retainer-Chute |
| 75-8660 | 2 | 29 | 1 | Housing |
| 75-8670 | 2 | 51 | 1 | Handle-Chute |
| 75-8690 | 3 | 69 | 1 | Nut-Rotor Shaft |
| 75-8700 | 1 | 26 | 1 | Bushing-Idler |
| 75-8710 | 3 | 73 | 1 | Spacer |
| 75-8720 | 1 | 12 | 1 | Pin-Idler |
| 75-8740 | 1 | 21 | 1 | Hub |
| 75-8750 | 1 | 23 | 1 | Pulley |
| 75-8760 | 2 | 44 | 1 | Chute-Discharge |
| 75-8770 | 2 | 47 | 1 | Deflector-Chute |
| 75-8780 | 3 | 57 | 1 | Scraper |
| 75-8790 | 5 | 103 | 1 | Shroud-Lower |
| 75-8800 | 2 | 30 | 1 | Shroud-Upper |
| 75-8810 | 1 | 17 | 1 | Sideplate-LH |
| 75-8820 | 4 | 99 | 1 | Sideplate-RH |
| 75-8830 | 1 | 6 | 1 | Cover-Belt |
| 75-8840 | 3 | 66 | 1 | Wa-Rotor |
| 75-8870 | 1 | 14 | 1 | Bracket-Cover |
| 75-8880 | 3 | 65 | 2 | Support-Motor |
| 75-8900 | 4 | 98 | 1 | Bracket-Wheel |
| 75-8910 | 4 | 102 | 1 | Bracket-Wheel |
| 75-8980 | 4 | 92 | 1 | Support-Engine |
| 75-9010 | 1 | 22 | 1 | "v" Belt |
| 75-9020 | 1 | 16 | 1 | Spring-Extension |
| 75-9031 | 2 | 35 | 1 | Panel-Control |
| 75-9040 | 3 | 62 | 2 | Washer-Square |
| 75-9050 | 1 | 27 | 1 | Arm-Idler |
| 75-9060 | 5 | 110 | 1 | Tube-Frame |
| 75-9070 | 5 | 107 | 1 | Handle-Upper |
| 75-9080 | 3 | 67 | 2 | Wa-Flange Bearing |
| 75-9100 | 4 | 91 | 1 | Bushing-Isolation |
| 75-9130 | 5 | 109 | 2 | Washer-Pin |
| 75-9160 | 2 | 53 | 1 | Detent-Chute |
| 75-9170 | 2 | 52 | 2 | Spring-Compression |
| 75-9180 | 3 | 68 | 1 | Washer-Rubber |
| 80-0620 | 4 | 93 | 1 | Ring-Isolator |
| 80-0630 | 1 | 7 | 1 | Decal-Hot |

*Not Illustrated

Toro Part Number Index (cont.)

| Part No. | Page No. | Ref. No. | Qty. | Description |
|----------|----------|----------|------|----------------------|
| 80-0640 | 2 | 43 | 2 | Washer-Rubber |
| 80-0650 | 4 | 94 | 1 | Spacer-Mount |
| 80-0680 | 2 | 119 | 1 | Decal-Powerlite |
| 84-1970 | 3 | 71 | 8 | Screw-Countersunk |
| 84-1980 | 3 | 72 | 2 | Blade-Rotor |
| 84-5420 | 2 | 142 | 1 | Decal-Control Panel |
| 92-6012 | 4 | 115 | 1 | ASM-Bracket & Stud |
| 92-6019 | 4 | 112 | 3 | Screw-Thread Forming |
| 92-6031 | 4 | 148 | A/R | Screw |
| 233-67 | 2 | 42 | 1 | Knob |
| 2412-98 | 4 | 88 | 2 | Clamp-Hose |
| 321-3 | 2 | 59 | 2 | Screw-HH |
| 321-3 | 3 | 59 | 3 | Screw-HH |
| 321-10 | 4 | 81 | 4 | Screw-HH |
| 3229-5 | 3 | 63 | 2 | Screw-CARR |
| 3229-11 | 2 | 50 | 1 | Bolt-CARR |
| 3230-2 | 2 | 45 | 2 | Screw-CARR |
| 3230-23 | 1 | 19 | 1 | Screw-CARR |
| 3234-33 | 3 | 61 | 7 | Screw-HFW |
| 3235-6 | 1 | 8 | 1 | Screw-HH |
| 3250-32 | 2 | 75 | 2 | Screw-PPH |
| 3255-10 | 4 | 149 | A/R | Lockwasher |
| 3256-1 | 1 | 5 | 2 | Washer-Flat |
| 3256-1 | 2 | 5 | 4 | Washer-Flat |
| 3256-1 | 4 | 5 | 6 | Washer-Flat |
| 3256-14 | 1 | 56 | 1 | Washer-Flat |
| 3256-14 | 3 | 56 | 3 | Washer-Flat |
| 3256-14 | 4 | 56 | 1 | Washer-Flat |
| 3256-14 | 5 | 56 | 2 | Washer-Flat |
| 3256-25 | 1 | 24 | 1 | Washer-Flt |
| 3256-58 | 4 | 95 | 1 | Washer-Flt |
| 3256-68 | 2 | 48 | 2 | Washer-Flt |
| 3256-71 | 1 | 9 | 1 | Washer-Flat |
| 3256-81 | 2 | 41 | 2 | Washer-Flat |
| 3257-3 | 1 | 18 | 1 | Key-Woodruff |
| 3290-320 | 4 | 79 | 2 | Nut-Push |
| 3290-340 | 2 | 46 | 2 | Washer-Spring |
| 3290-453 | 5 | 105 | 2 | Nut-Push |
| 3296-2 | 1 | 100 | 1 | Nut Lock |
| 3296-2 | 4 | 100 | 1 | Nut Lock |
| 3296-16 | 4 | 96 | 1 | Nut-Lock |
| 3296-29 | 1 | 11 | 5 | Nut-Lock |
| 3296-29 | 2 | 11 | 2 | Nut-Lock |
| 3296-38 | 1 | 25 | 1 | Nut-Lock |
| 3296-42 | 2 | 60 | 2 | Nut-Lock |
| 3296-42 | 3 | 60 | 2 | Nut-Lock |
| 3296-42 | 4 | 60 | 4 | Nut-Lock |
| 3296-56 | 2 | 64 | 2 | Nut-Hex Lock |
| 3296-56 | 3 | 64 | 12 | Nut-Hex Lock |
| 3296-59 | 1 | 3 | 1 | Nut-Lock |
| 32105-23 | 1 | 28 | 1 | Screw-HH |
| 32105-23 | 4 | 28 | 1 | Screw-HH |
| 32115-15 | 2 | 49 | 3 | Retainer |
| 32115-17 | 5 | 104 | 2 | Nut-Expansion |
| 32115-19 | 3 | 58 | 3 | "u" Nut |
| 32144-4 | 1 | 4 | 4 | Screw-TAP |
| 32144-34 | 3 | 55 | 3 | Screw-Hex Slot |
| 32144-34 | 5 | 55 | 2 | Screw-Hex Slot |
| 32144-53 | 2 | 36 | 2 | Screw-Tf Acorn Hd |
| 32144-89 | 2 | 76 | 2 | Cscrew-HH |

*Not Illustrated

